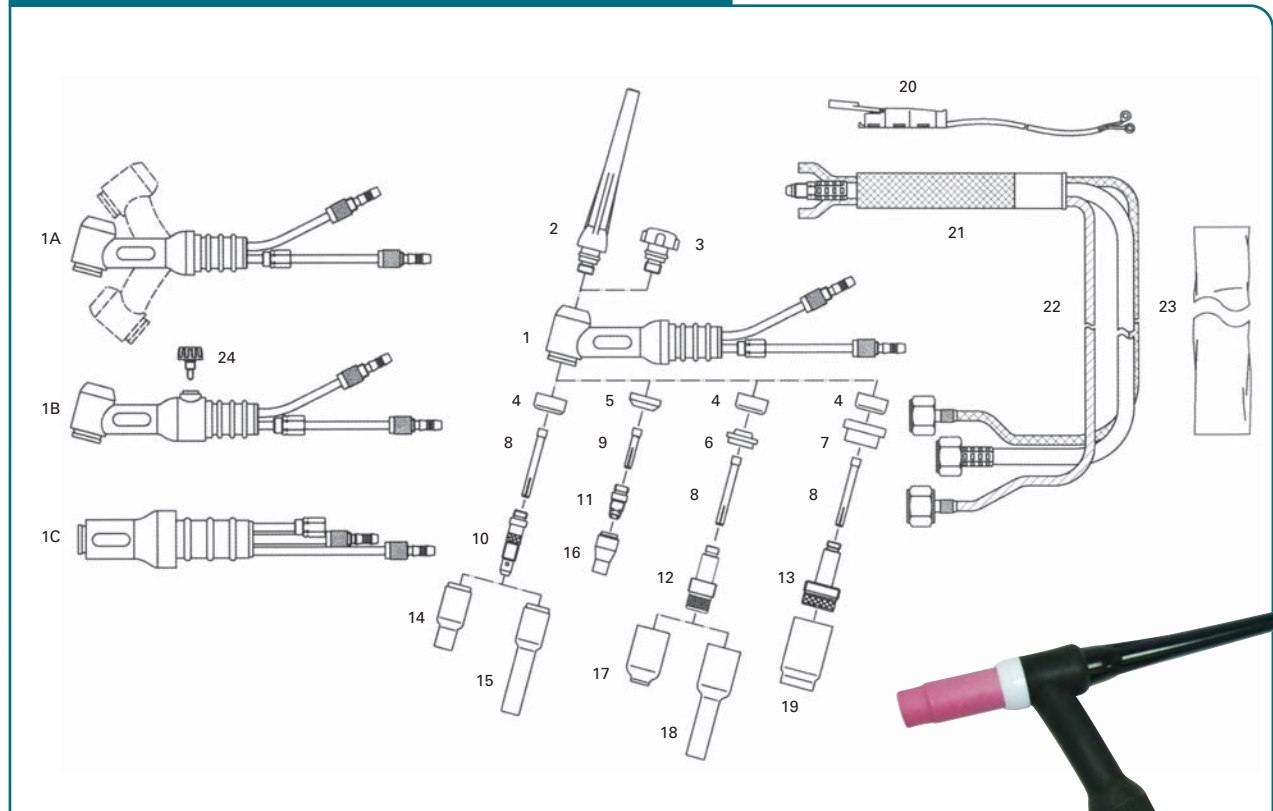


# TIG TORCHES & PARTS

## WP 18 SERIES AIR COOLED TIG TORCHES



Rating: 350A DC 250A AC Air Cooled | Duty Cycle: 100% | Electrodes Size: 0.5 - 4.0MM

No.	Description	No.	Description
	WP 18 Torch 7M - WP-18-2	12	Medium Gas Lens - 1.6MM / 2.4MM / 3.2MM
1	Torch Body	13	Large Long Gas Lens - 1.6MM / 2.4MM / 3.2MM
1A	Torch Body (Flexible)	14	Ceramic Cup - 4# / 5# / 6# / 7# / 8# / 10#
1B	Torch Body (Valve)	15	Extra Length Ceramic Cup - 5# / 6# / 7#
1C	Torch Body (Pencil)	16	Stubby Ceramic Cup - 4# / 5# / 6# / 7# / 8#
2	Long Back Cap	17	Gas Lens Ceramic Cup - 4# / 5# / 6# / 7# / 8#
3	Short Back Cap	18	Extra Long Ceramic Cup - 4# / 5# / 6# / 7# / 8#
4	Gasket	19	Extra Dia. Ceramic Cup - 4# / 5# / 6# / 7# / 8#
5	Stubby Gasket	20	Micro Switch
6	Gas Lens Insulator	21	Handle
7	Large Dia. Gas Lens Insulator	22	Cable Assembly
8	Collet - 1.6MM / 2.4MM / 3.2MM	23	Cable Assembly Cover
9	Stubby Collet - 1.6MM / 2.4MM / 3.2MM	24	Valve Stem
10	Collet Body - 1.6MM / 2.4MM / 3.2MM		
11	Stubby Collet Body		